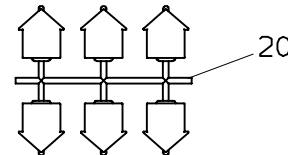
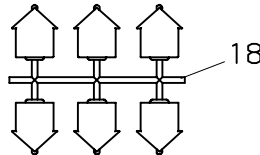
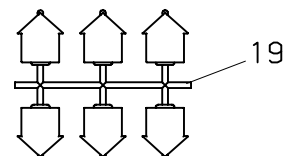
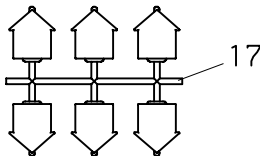
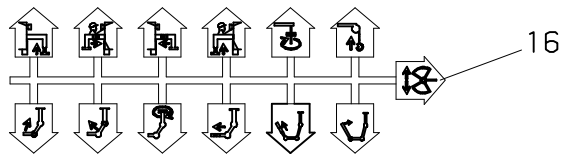
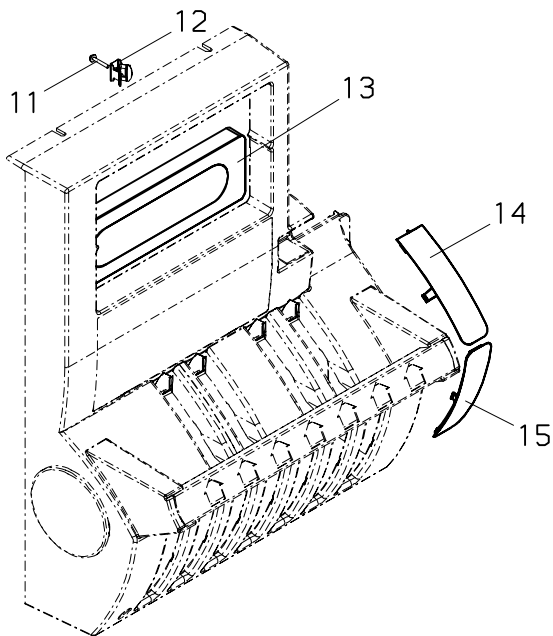
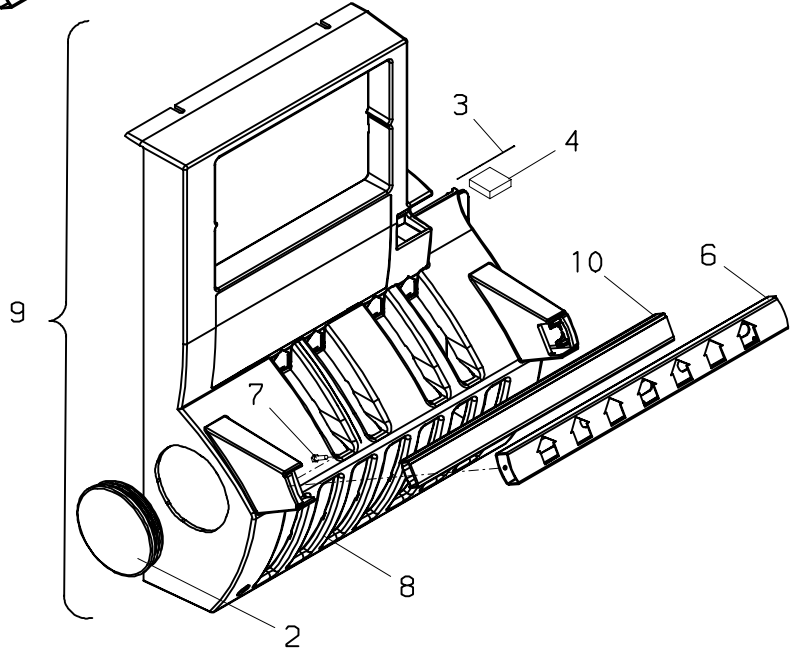
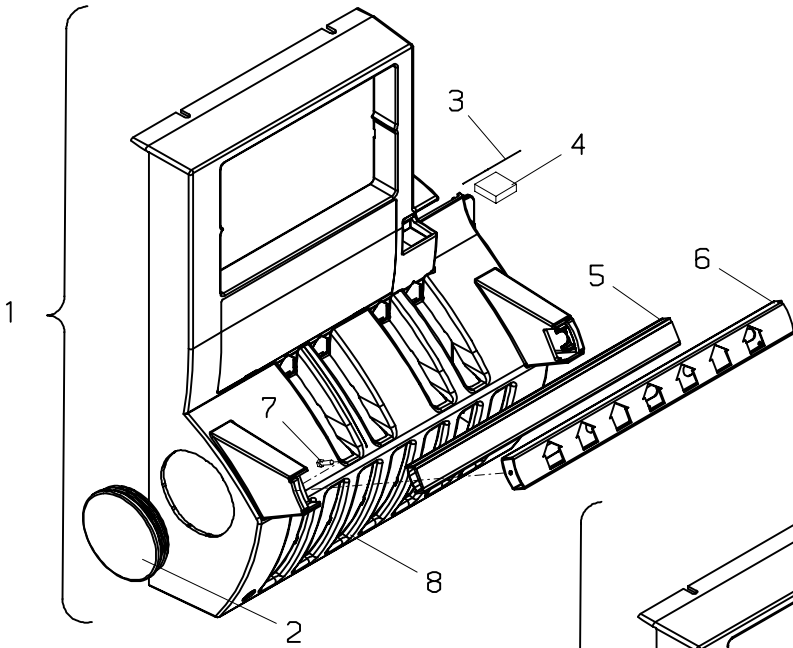
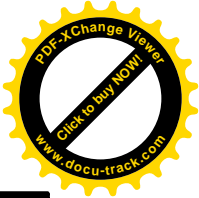


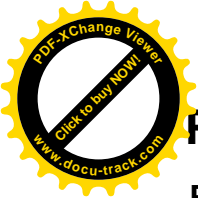


01.0401
02/2011

PALFINGER CRANE

PK 10002-SH (S105-SK-D)



**PALFINGER****PK 10002-SH****Konsolen RC
Brackets RC
Consoles RC**zu Tafel
to figure
voir planche**010.0-01**

02/2011



| Nr. No. No. | Ersatzteil Nr. Sparepart no. No Piece de rechange | Stk. Qty. Nbre. | Teilebezeichnung | Description | Nomenclature | Abmessung Dimension Dimension |
|-------------|---|-----------------|------------------|--------------------|----------------------|-------------------------------|
| 1 | HXE 510 | 1 | Konsole, kpl. | Console, cpl. | Console, cplt. | |
| 2 | EZ1240 | 3 | Deckel | Cover | Couvercle | |
| 3 | EK 848 | 3 | Spiegel | Mirror | Miroir | |
| 4 | EK1250 | 3 | Libelle | Clinometer | Niveau d'eau | |
| 5 | EEA4120 | 2 | Leuchte | Light | Lampe/Laterne | |
| 6 | HP 039 | 3 | Schutzbügel | Protection stirrup | Etrier de protection | |
| 7 | ES 994 | 1 | Schraube | Screw | Vis | 4.2x19 DIN 7981 |
| 8 | HX 019 | 1 | Blende | Baffle | Plaque | |
| 9 | HXE 569 | 1 | Konsole, kpl. | Console, cpl. | Console, cplt. | |
| 10 | HX 057 | 1 | Blende | Baffle | Plaque | |
| 11 | ES 962 | 3 | Schraube | Screw | Vis | D 3x25 mm |
| 12 | EF 174 | 1 | Feder | Spring | Ressort | |
| 13 | EK 535 | 1 | Abdeckung | Cover | Recouvrement | |
| 14 | EK 537 | 2 | Abdeckkappe | Cap | Chapuchon protect | |
| 15 | EK 536 | 2 | Abdeckkappe | Cap | Chapuchon protect | |
| 16 | EK 898 | 1 | Symbolschild | Symbol shield | Plaque de symbole | |
| 17 | EK 517 | 1 | Symbolschild | Symbol shield | Plaque de symbole | |
| 18 | EK 519 | 1 | Symbolschild | Symbol shield | Plaque de symbole | |
| 19 | EK 518 | 1 | Symbolschild | Symbol shield | Plaque de symbole | |
| 20 | EK 540 | 1 | Abdeckkappe | Cap | Chapuchon protect | |